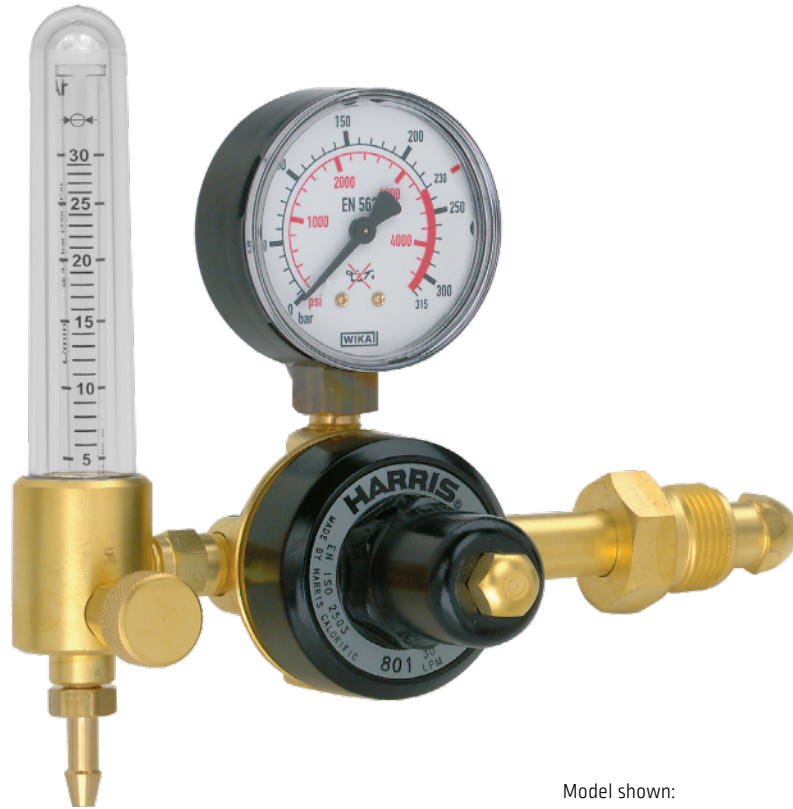


MODEL 801D-F

FLOWMETER REGULATOR



Model shown:
801DB-30-F

KEY FEATURES

- Forged brass body for maximum strength
- Maximum inlet pressure 230 bar
- Factory pre-set outlet pressure at 3,5 bar
- Flowmeter with easy-to-read polycarbonate outer tube cover for strength and 360° visibility
- One-piece encapsulated seat design with internal filter and PTFE (Teflon®*) seat
- "B" version fitted with black bonnet and black gauge case
- 7 year warranty

Applications »

Ideal for all welding applications



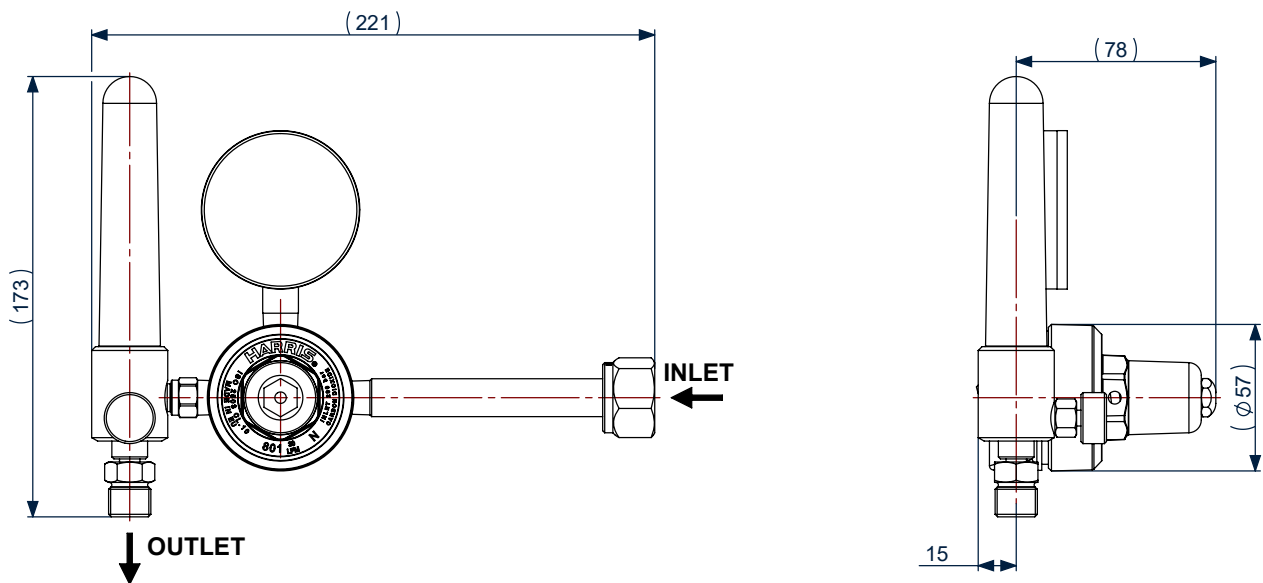
TECHNICAL DATA

Standard	ISO 2503
Gauges	63 mm
Maximum Inlet Pressure (bar)	230
Maximum Flow (LpM)	50

MATERIALS

Body	Brass
Bonnet	Chrome plated Zinc-Aluminium Alloy
Diaphragm (regulator)	Neoprene rubber
Nozzle	Brass
Seals	PTFE / NYLON
Filter	Electroless nickel plated bronze
Adjusting Knob	Brass screw (Fixed @3,5 bar)

TECHNICAL DRAWINGS



CUSTOMER ASSISTANCE POLICY

The business of Lincoln Electric is manufacturing and selling high quality welding equipment, automated welding systems, consumables, and cutting equipment. Our challenge is to meet the needs of our customers, who are experts in their fields, and to exceed their expectations. On occasion, purchasers may ask Lincoln Electric for information or technical information about their use of our products. Our employees respond to inquiries to the best of their ability based on information and specifications provided to them by the customers and the knowledge they may have concerning the application. Our employees, however, are not in a position to verify the information provided or to evaluate the engineering requirements for the particular weldment, or to provide engineering advice in relation to a specific situation. Accordingly, Lincoln Electric does not warrant or guarantee or assume any liability with respect to such information or communications. Moreover, the provision of such information or technical information does not create, expand, or alter any warranty on our products. Any express or implied warranty that might arise from the information or technical information, including any implied warranty of merchantability or any warranty of fitness for any customers' particular purpose or any other equivalent or similar warranty is specifically disclaimed.

Lincoln Electric is a responsive manufacturer, but the definition of specifications, and the selection and use of specific products sold by Lincoln Electric is solely within the control of, and remains the sole responsibility of the customer. Many variables beyond the control of Lincoln Electric affect the results obtained in applying these types of fabrication methods and service requirements.



Contact Harris for pricing and custom configurations

+48 74 646 23 52

marketingharris@lincolnelectric.eu

Harris Products Group
ul. Strefowa 8, 58-200 Dzierzoniow, Poland
www.harrisproductsgroup.eu